



空调电容器

AIR CONDITIONING CAPACITOR

采用电工级聚丙烯薄膜介质、安全型金属化电极，94V0级阻燃塑壳、环氧树脂密封，标准型引出端。运用特殊制造工艺，具有电气性能稳定，安全防爆等特点。防爆等级为P2级，应用于空调高端机型。

The products are made of electrical class metallized polypropylene film, safety metallized electrode, 94V0 level flame-resistant plastic box, and enveloped with epoxy resin, led by standard terminals. Adopt special manufacturing process, they have the characteristics of stable performance, safety and explosion protection and so on. The explosion-proof class is P₂, and applied in high-end air conditioner.

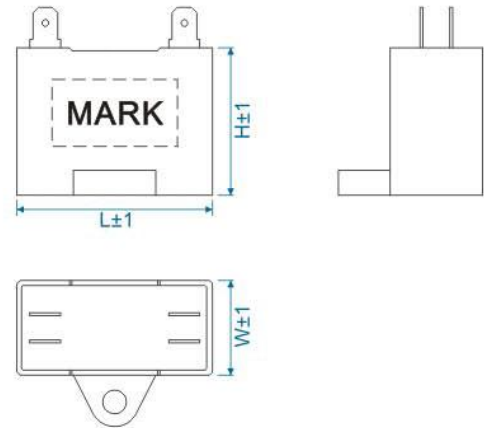
安全防爆系列

Safety Explosion Protection Series

CBB61-P₂

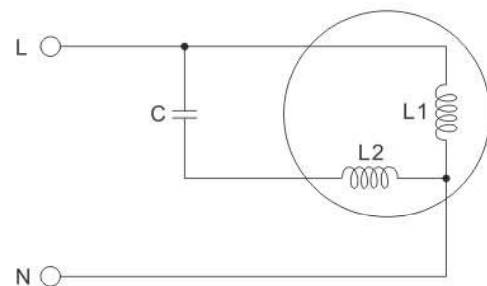


| | |
|-----------------------------------|---|
| 认证标志 Safety approvals | CQC, UL, TUV |
| 执行标准 Implemented standard | GB/T3667, UL810, EN60252 |
| 气候类别 Climatic category | 25/70/21, 25/85/21, 40/70/21, 40/85/21 |
| 额定电压 Rated voltage | 250VAC、450VAC (50/60Hz) |
| 容量范围 Capacitance range | 1μF ~ 8μF |
| 容量偏差 Capacitance tolerance | ±5%(J)、±10%(K)、 $\begin{matrix} +10\% \\ -5\% \end{matrix}$ (U) |
| 试验电压 Testing voltage | |
| 极间 between terminals | 2*U _N (VAC) / 60s |
| 极壳 between terminals and case | 2*U _N +1000(VAC) / 60s(≥2000VAC) |
| 绝缘电阻 Insulation resistance(20°C) | |
| 极壳 between terminals and case | ≥2000MΩ (500VDC, 60s) |
| 损耗角正切 Tangent of loss angle(20°C) | ≤0.002 (100Hz) |
| 防护等级 Class of safety protection | P ₂ |
| 故障电流 Fault current | 10,000AFC (UL810) |



| 常用规格 Dimension | | Unit : mm | | | | |
|----------------|--------|-----------|----|--------|------|----|
| Rated cap. | 250VAC | | | 450VAC | | |
| | L | W | H | L | W | H |
| 1.0μF | — | — | — | 37 | 11 | 22 |
| 1.5μF | — | — | — | 37 | 13.5 | 24 |
| 2.0μF | — | — | — | 37 | 17 | 28 |
| 3.0μF | — | — | — | 47 | 17 | 28 |
| 3.5μF | — | — | — | 47 | 19 | 29 |
| 4.0μF | 37 | 13.5 | 24 | 47 | 19 | 31 |
| 5.0μF | 37 | 15 | 25 | 47 | 22 | 34 |
| 6.0μF | 37 | 15.5 | 26 | 47 | 23 | 35 |
| 8.0μF | 37 | 18.5 | 29 | 47 | 28 | 40 |

典型线路图
Typical circuit



C: 启动运转电容
Running capacitor